

Technical Bulletin

Product: Greenstar 1000 Combi

SERVICE AND MAINTENANCE

INSPECTION AND REPLACEMENT OF THE BURNER DOOR SEAL

The current advice in the Installation and maintenance instruction manual for Greenstar 1000 Combi boilers advises that the burner door lip seal must be replaced if disturbed.

This advice has been revised to state that: “The silicone burner door gasket must be inspected at regular intervals. If it shows signs of damage, it must be replaced”.

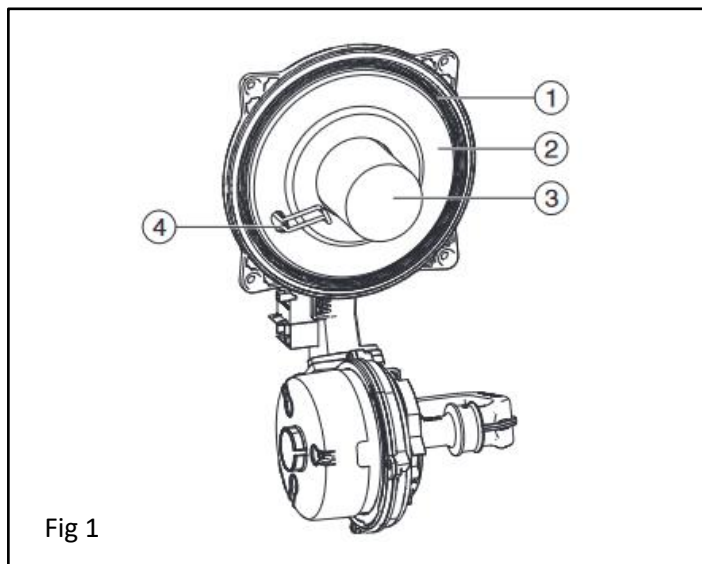
Manuals will be updated to reflect this advice.

Whenever the burner door is removed, the burner door seal must be visually inspected for any sign of degradation such as cracking. It should also be checked for any signs of hardening or embrittlement.

If there is any sign of such degradation, then the boiler must not be put back into operation until the burner door seal has been replaced.

The burner door should be removed at each annual service to allow inspection and cleaning of the heat exchanger if necessary. It may also be removed during maintenance work to provide better access to certain other components.

Please refer to the installation and maintenance instructions for further guidance.



- 1) Silicone burner door seal (lip seal).
- 2) Burner door insulation pad.
- 3) Burner.
- 4) Electrode set.

Whilst it is always our intention to fully assist, it is essential to recognise that all information given by the company in response to an enquiry of any nature is provided in good faith and based upon the information provided with the enquiry. We recommend that advice should always be checked with your installer or contract partner. Consequently, the company cannot be held responsible for any liability relating to the use or repetition of such information or part thereof. In addition, whilst making every reasonable effort to monitor the performance and quality of our supply, installation and service network, we do not accept responsibility for the workmanship or operation of any third party company that the company may have promoted either in conversation, e-mail, or other communication. Similarly, the views and opinions expressed in communication with individuals within the company may not reflect that of the business as a whole.

You can find this, and all issued technical bulletins on the Worcester website at: www.worcester-bosch.co.uk/tb
or www.worcester-bosch.ie/tb