

TECHNICAL BULLETIN

PRODUCT: GREENSTAR I JUNIOR, SI & RI

REMOVING STUCK LOWER BAFFLE FROM WB6:

If it has not been necessary to remove the WB6 heat exchanger baffles during normal servicing for an extended period of time, the lower baffle may become stuck to the heatcell due to deposits left by products of combustion (POC); this can make removal of the baffle quite difficult.

A Bicarbonate of Soda solution can be used to dissolve and soften the deposits, this should ease removal.

Boiler components and surrounding property should be protected from spillage during heatcell cleaning; any spillage within the boiler must be mopped up.

Eye protection and protective gloves must be worn.

Ensure that the heatcell has cooled to below 50°C before proceeding.

The solution should be mixed to a concentration of 2 heaped teaspoons of Bicarbonate of Soda to 1L of warm water.

Instructions in the manual should be followed to gain access to the lower baffle; the solution should be sprayed into the top of the heatcell using a suitable applicator ensuring that it runs evenly around the circumference of the lower baffle and repeated as necessary to ensure that the area remains wet. The deposits should be kept wet for at least 10 minutes before removal of the baffle is attempted.

The heatcell should be thoroughly flushed with clean water once the baffle has been removed, guidance in the installation manual should be followed for removing debris from the sump and siphon.

A new burner gasket and heat shield must be fitted when reassembling the heatcell.

Refer to the installation manual for fitting instructions.

The baffle removal tool which is included in accessory **7-716-192-312** can be used to assist in removing the baffle; as shown in Fig. 1.

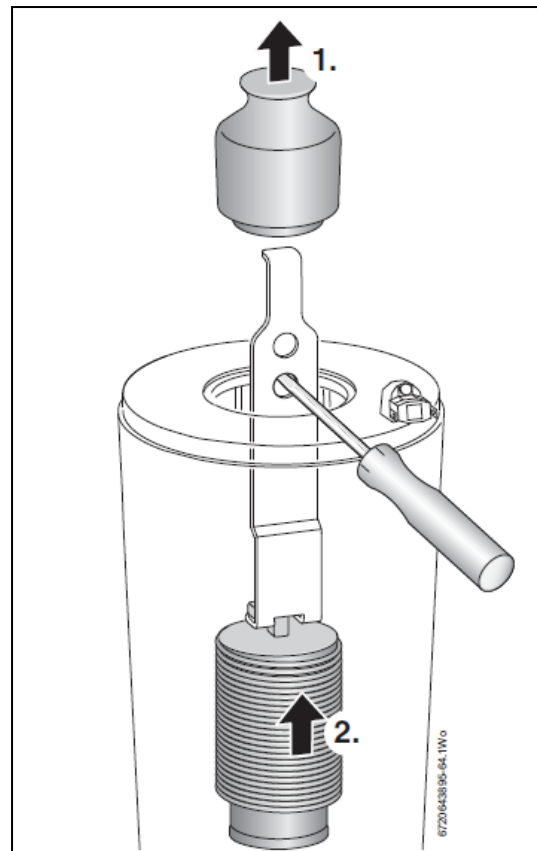


Fig. 1 Baffle Removal Tool usage

Whilst it is always our intention to fully assist, it is essential to recognise that all information given by the company in response to an enquiry of any nature is provided in good faith and based upon the information provided with the enquiry. We recommend that advice should always be checked with your installer or contract partner. Consequently, the company cannot be held responsible for any liability relating to the use or repetition of such information or part thereof. In addition, whilst making every reasonable effort to monitor the performance and quality of our supply, installation and service network, we do not accept responsibility for the workmanship or operation of any third party company that the company may have promoted either in conversation, e-mail or other communication. Similarly, the views and opinions expressed in communication with individuals within the company may not reflect that of the business as a whole.

You can find this, and all issued technical bulletins on the Worcester website at: <http://www.worcester-bosch.co.uk/tb> or <http://www.worcester-bosch.ie/tb>